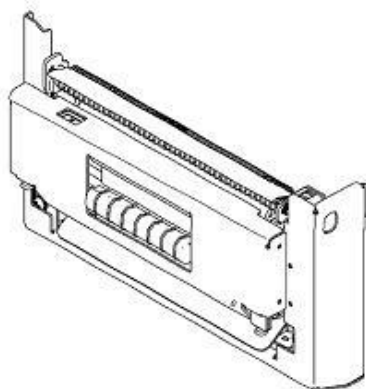
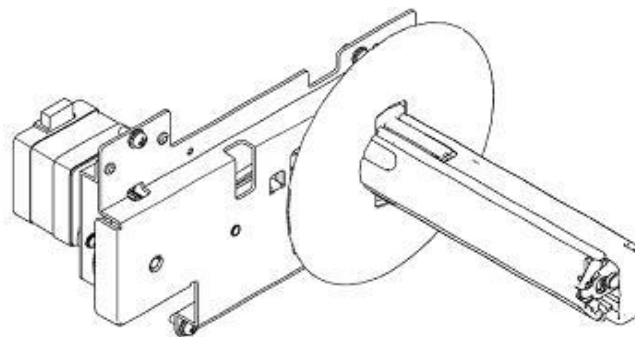


DATE: 23 May, 2014



## DISPENSER KIT(CL4NX) SERVICE PARTS LIST

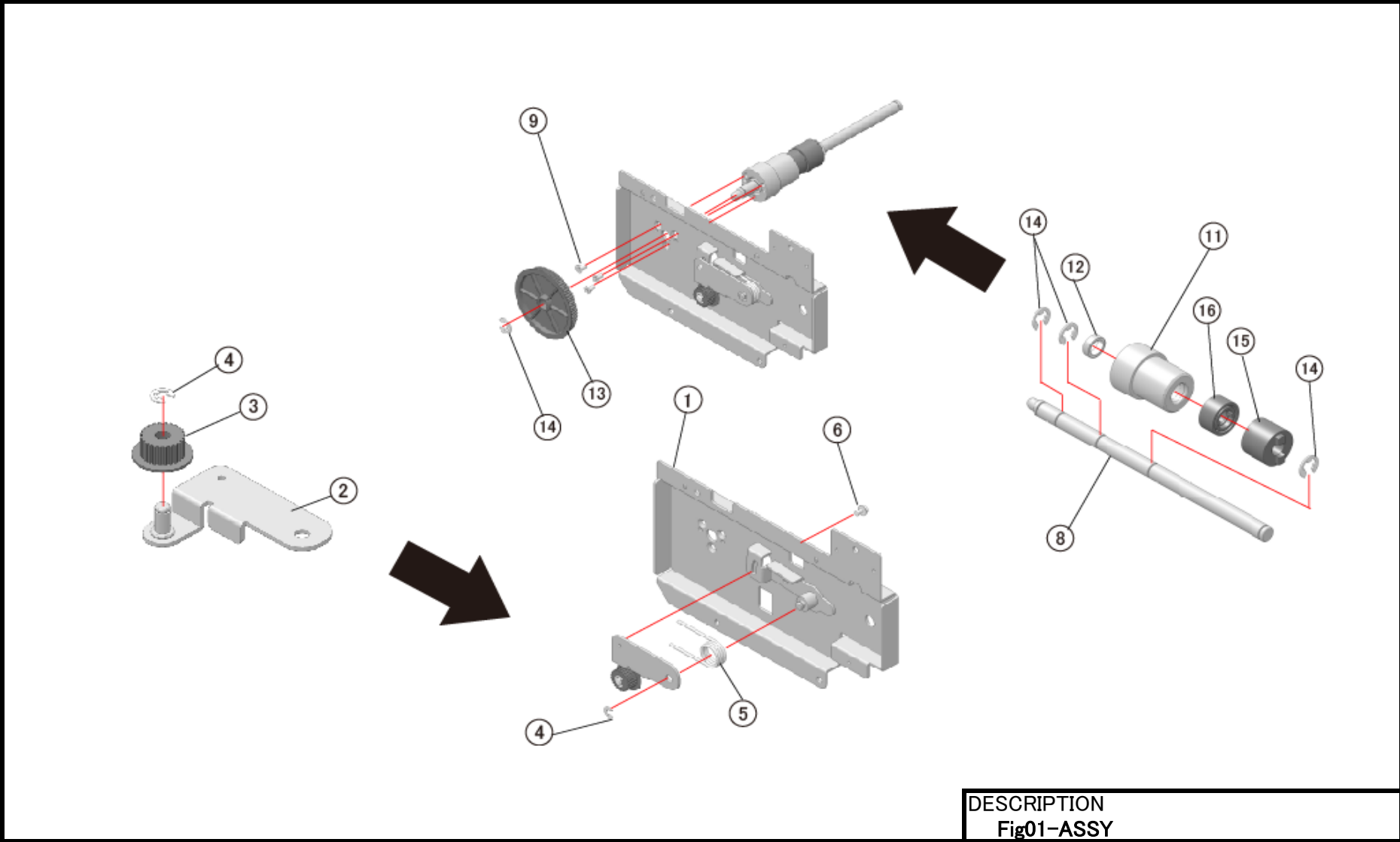


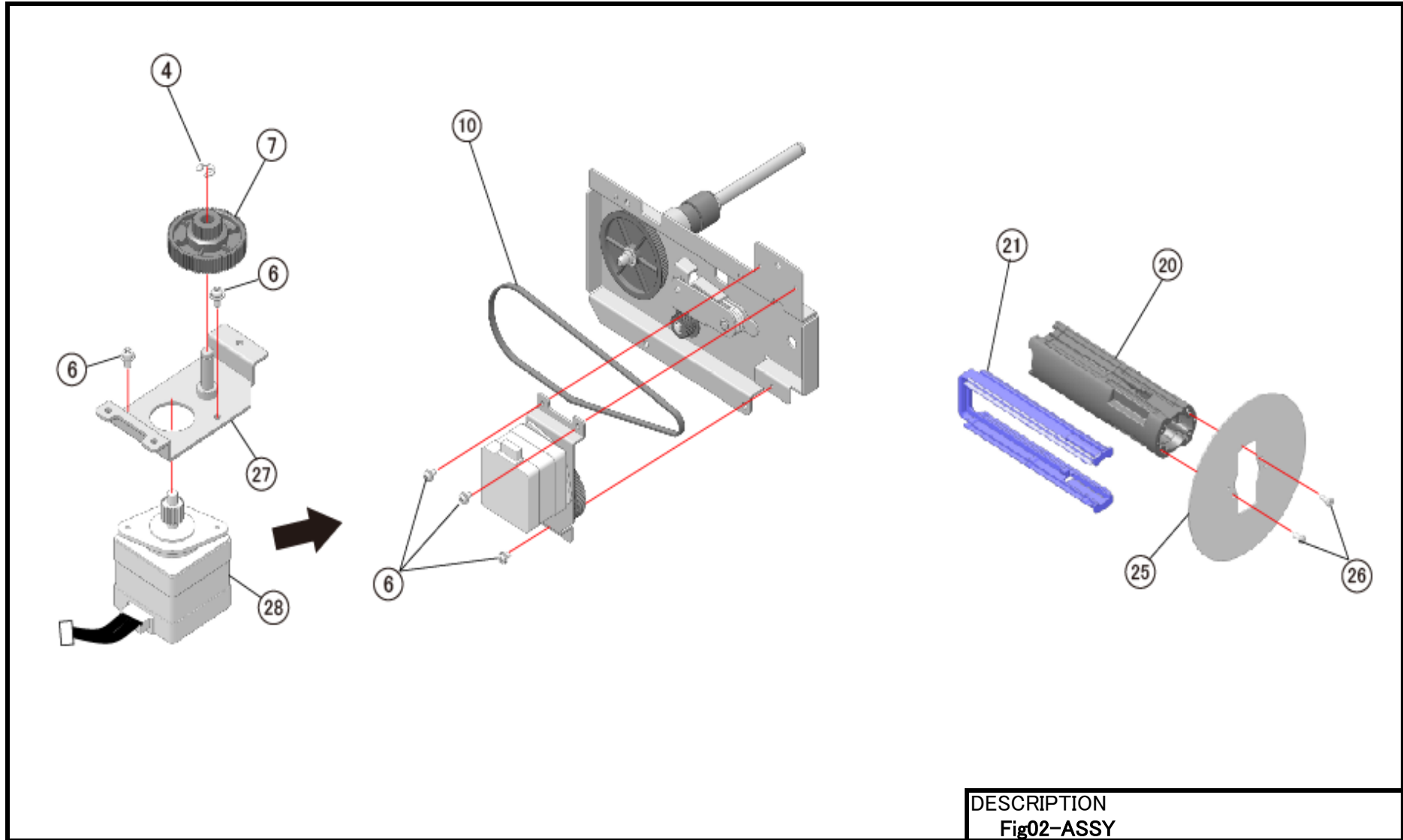
Create Date:

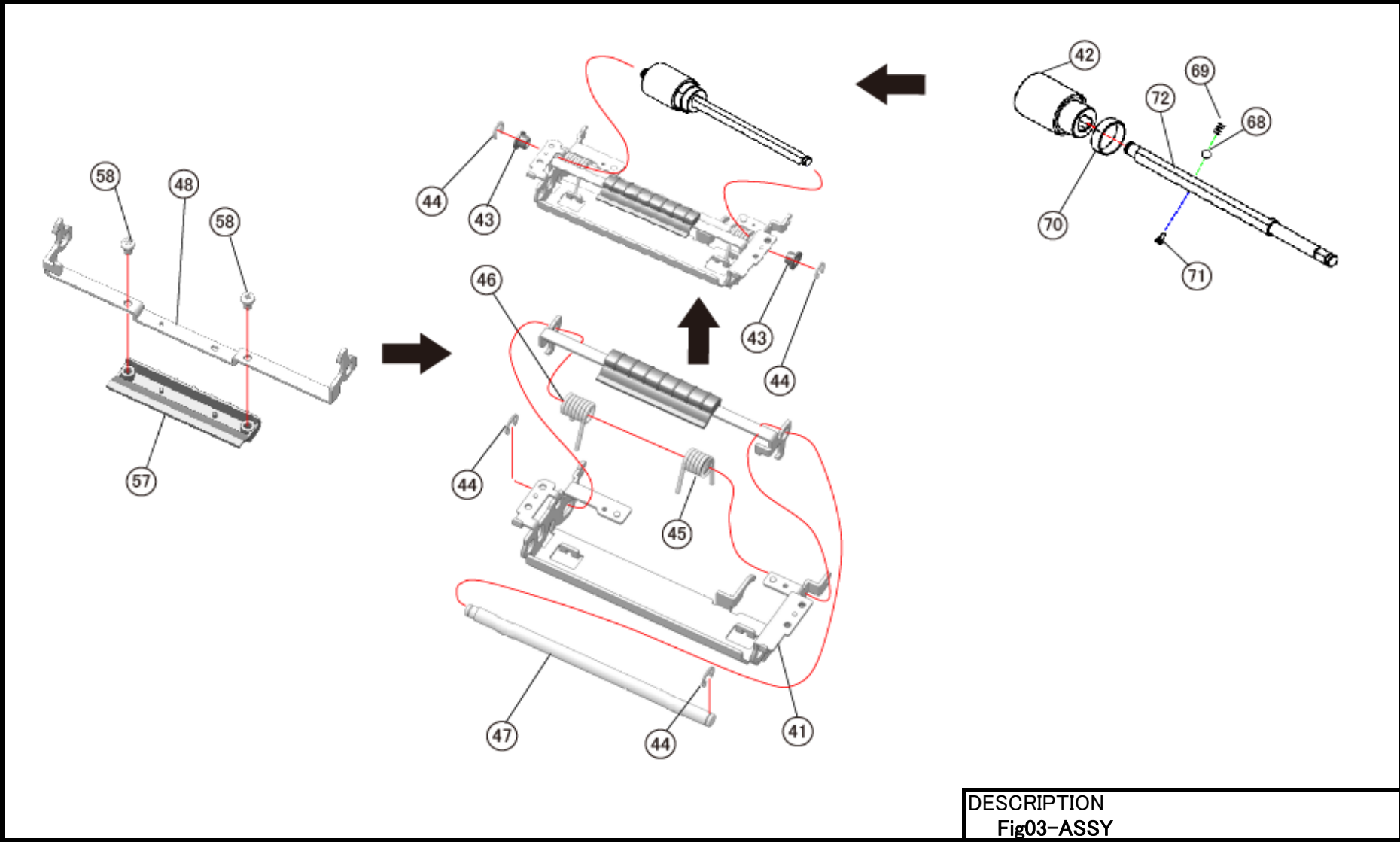
WWCL05200

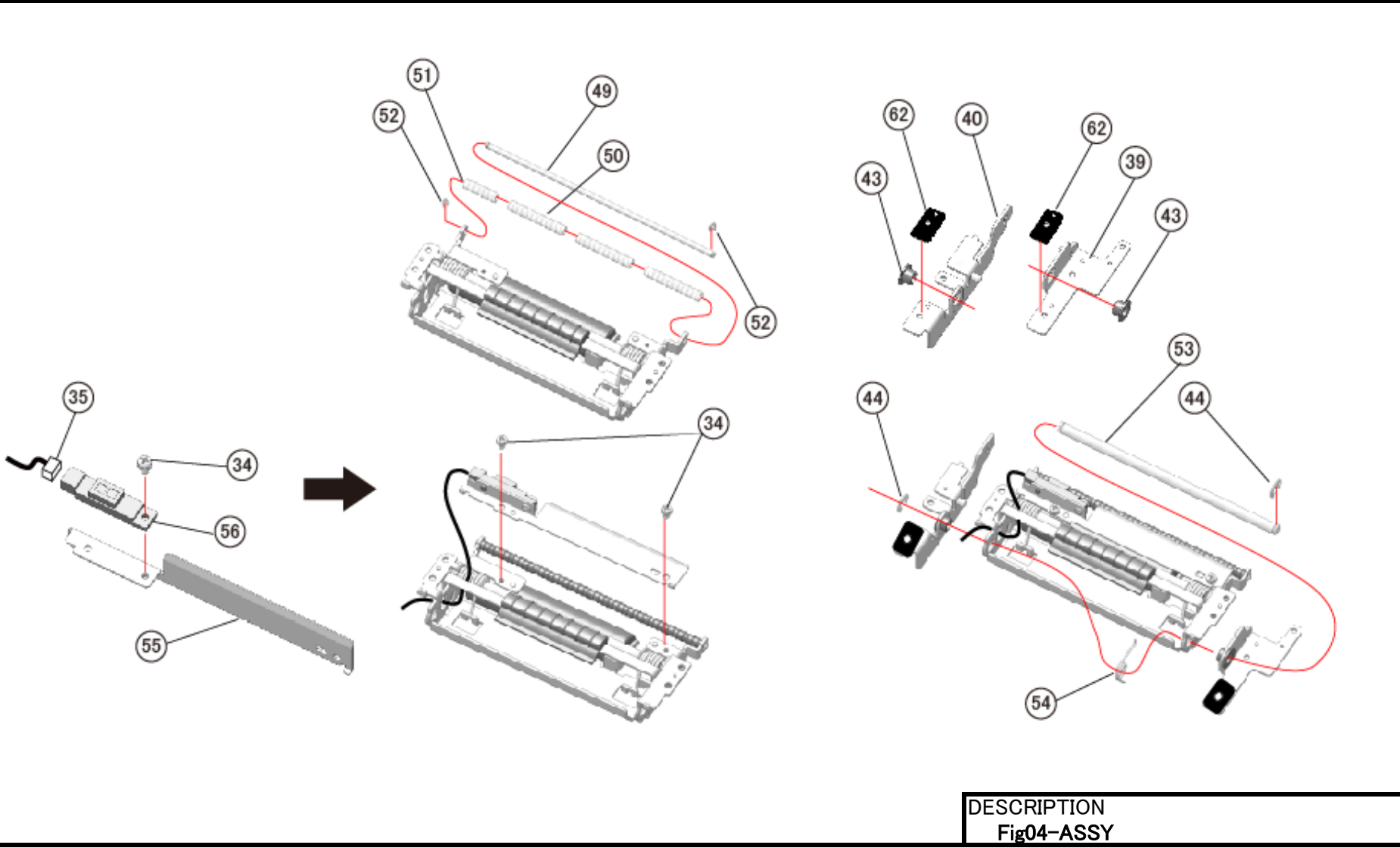
RV13-540

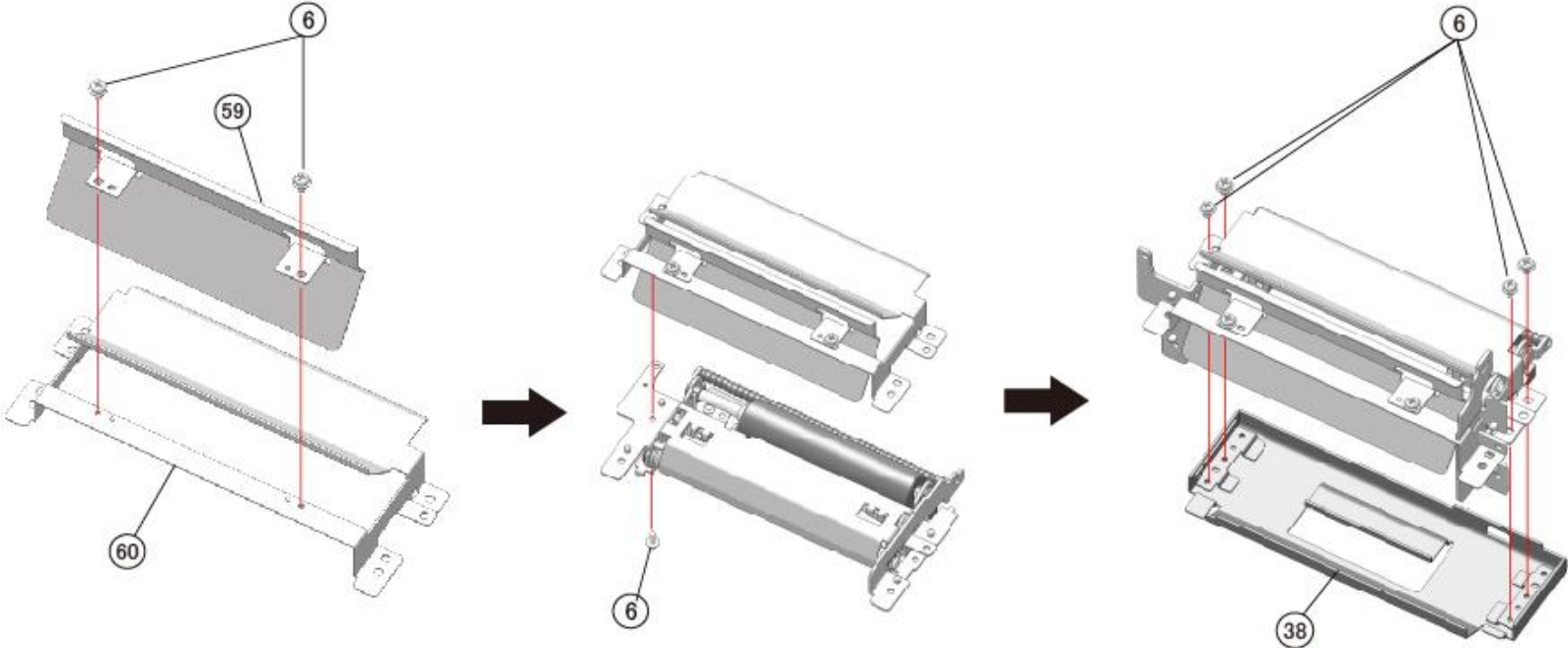
SATO CORPORATION . TOKYO. JAPAN



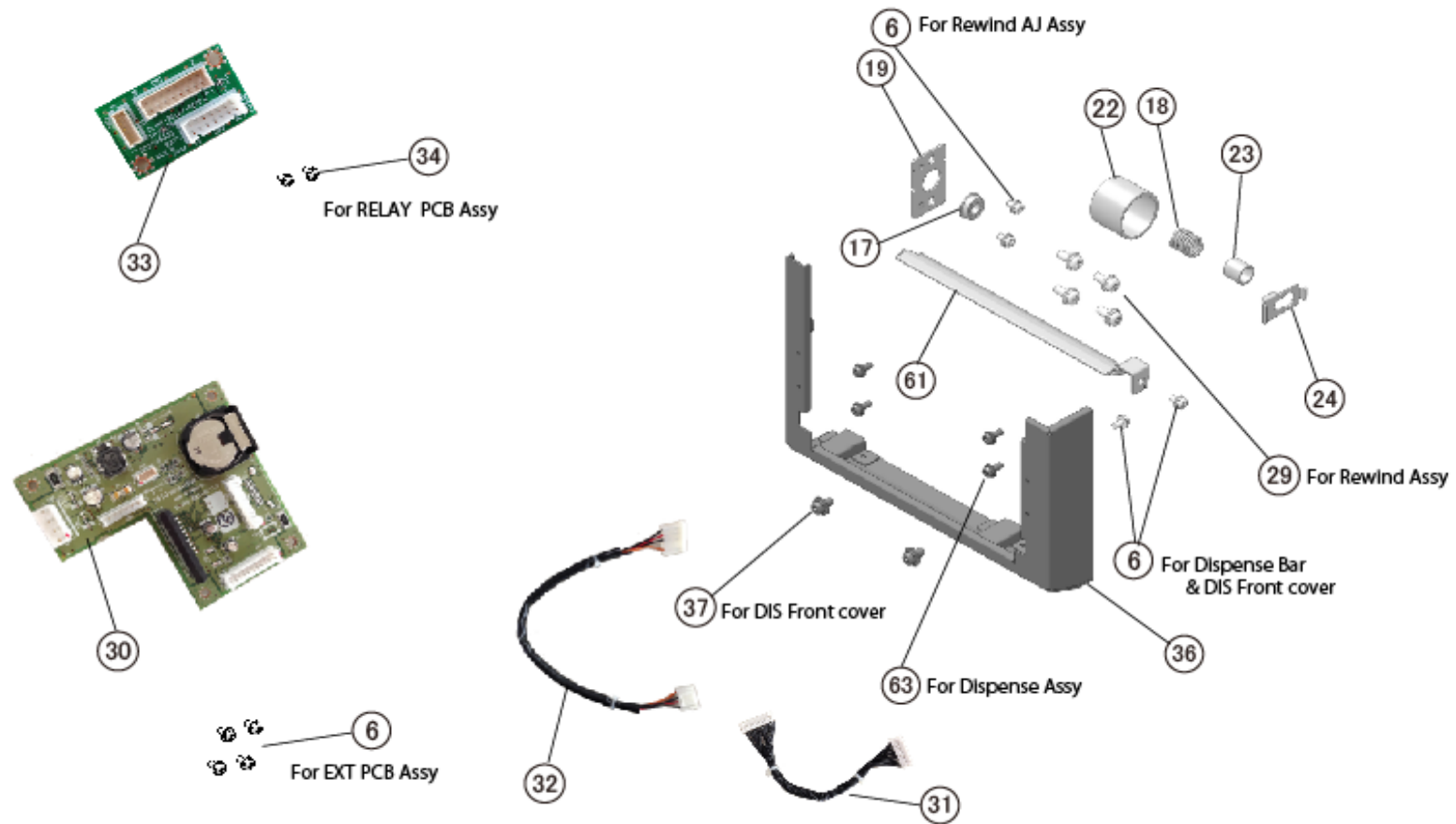




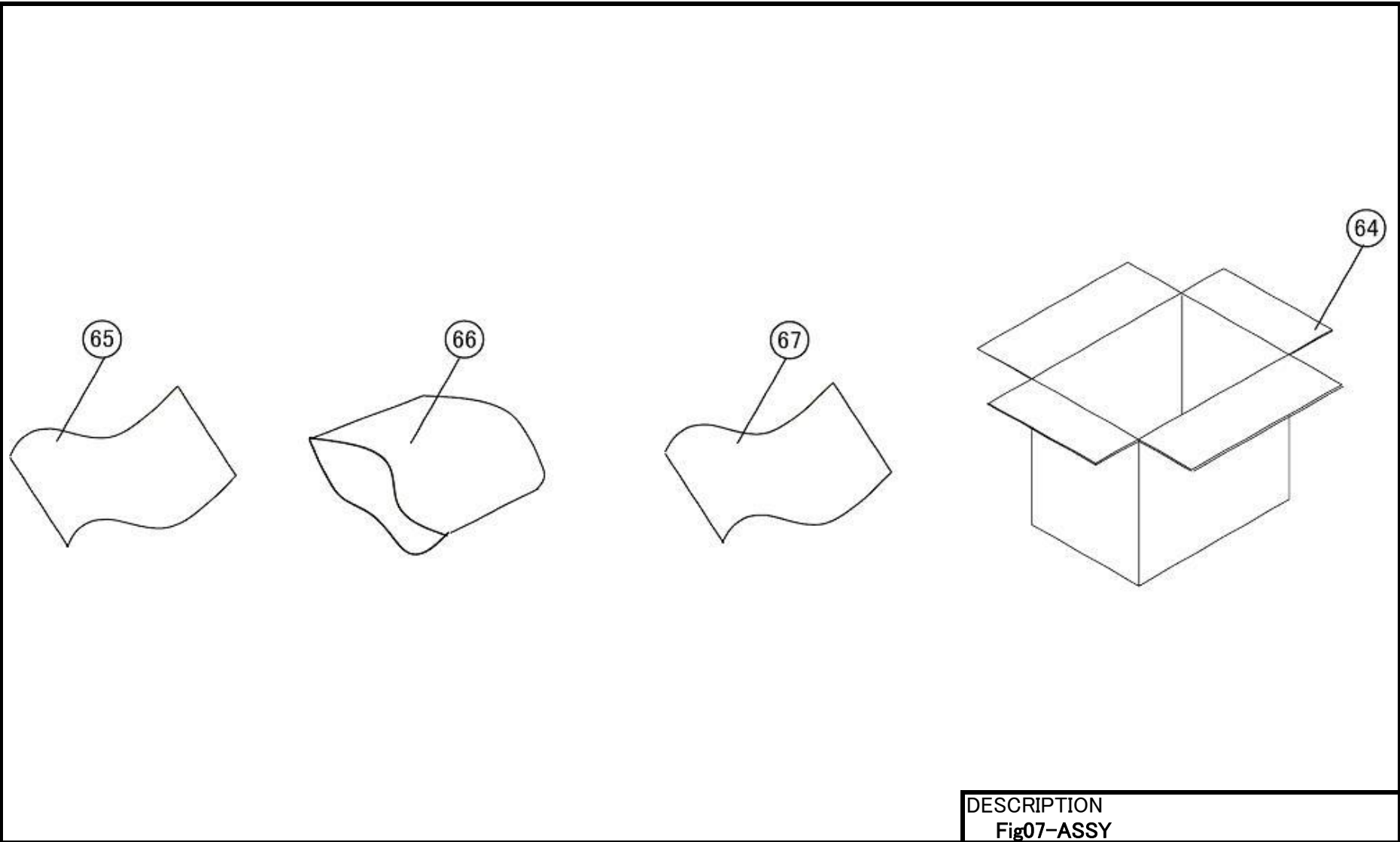




DESCRIPTION  
Fig05-ASSY



DESCRIPTION  
Fig06-ASSY





## DISPENSER KIT(CL4NX) SERVICE PARTS LIST

DATE: 23 May, 2014

AssyName		ASSY				
NO	First_Code	Parts_No (REV. NO)	Description	Min Order	PRICE	NOTE
1	R29515000	R29515000	REWIND FRAME SET	1		Fig01
2	R29514000	R29514000	TENSION BR SET(DIS)	1		Fig01
3	P18956010	P18956010	PULLEY(S2M 24)	1		Fig01
4	ND0040030	ND0040030	E SNAP RING	1		Fig01, 2
5	P55428000	P55428000	TENSION SP	1		Fig01
6	MD4300622	MD4300622	PAN HEAD SCREW+SW+WL	1		Fig01, 2, 5, 6
7	P54795000	P54795000	GEAR (O. 5*74)	1		Fig02
8	P55425000	P55425000	SHAFT (BOSS)	1		Fig01
9	MA1300622	MA1300622	FLAT HEAD SCREW	1		Fig01
10	P48833000	P48833000	TIMING BELT	1		Fig02
11	P55424000	P55424000	SHAFT (REWIND CORE)	1		Fig01
12	P50308000	P50308000	BALL BEARING	1		Fig01
13	P48800000	P48800000	PULLEY (S2M*82)	1		Fig01
14	ND0060030	ND0060030	E RING	1		Fig01
15	P30322000	P30322000	TORQUE LIMITTER	1		Fig01
16	P11461000	P11461000	ONEWAY CLUTCH	1		Fig01
17	PT1112060	P17488000	BALL BEARING	1		Fig06
18	P55429000	P55429000	REWIND SP	1		Fig06
19	P54778000	P54778000	REWIND AJ PLATE	1		Fig06
20	P54793000	P54793000	REWIND CORE	1		Fig02
21	P54794000	P54794000	REWIND CORE LEVER	1		Fig02
22	P55422000	P55422000	OILES BEARRING	1		Fig06
23	P04726000	P04726000	OILES BEARRING	1		Fig06
24	P54784000	P54784000	RIWIND LOCK PLATE	1		Fig06
25	P54779000	P54779000	LABEL GUIDE L (RW)	1		Fig02
26	M16221000	MH2300822	BIND HEAD P TIGHT SCREW	1		Fig02
27	P54783000	P54783000	RW GEAR BR	1		Fig02
28	K00462000	K00462000	STEPPING MOTOR	1		Fig02
29	MD4401022	MD4401022	PAN HEAD SCREW+SW+WL	1		Fig06
30	R28518001	R28518001	CL4NX EXT PCB SET -LF	1		Fig06/Recommended Spare parts
31	R28824000	R28824000	EXT SIGNAL CABLE SET-LF	1		Fig06
32	R28431000	R28431000	EXT POWER CABLE SET-LF	1		Fig06
33	R29115000	R29115000	RELAY PCB ASSY-LF	1		Fig06/Recommended Spare parts
34	MD3300622	MD3300622	PAN HEAD SCREW+SW+WS	1		Fig04, 6
35	R29360000	R29360000	DISPENSER CABLE SET-LF	1		Fig04
36	R29512000	R29512000	BASE COVER SET(DIS)	1		Fig06
37	MD3401028	MD3401028	PAN HEAD SCREW+SW+WS	1		Fig06
38	R29513000	R29513000	FRONT COVER SET(DIS)	1		Fig05
39	R29507000	R29507000	DIS FRAME R SET	1		Fig04
40	R29508000	R29508000	DIS FRAME L SET	1		Fig04
41	P54769000	P54769000	NIP ROLLER BR	1		Fig03
42	P24743000	P24743010	PRESSURE ROLLER	1		Fig03
43	P17470000	P17470000	OILESS BEARING	1		Fig03, 4

## DISPENSER KIT (CL4NX) SERVICE PARTS LIST

DATE: 23 May, 2014

AssyName	ASSY				
44	ND0050030	ND0050030	E SNAP RING	1	Fig03, 4
45	P55430000	P55430000	NIP SPRING L	1	Fig03
46	P55431000	P55431000	NIP SPRING R	1	Fig03
47	P55427000	P55427000	NIP SPRING SHAFT	1	Fig03
48	P54771000	P54771000	LOCK LEVER (DIS)	1	Fig03
49	P55433000	P55433000	ROLLER SHAFT	1	Fig04
50	P11427000	P11427000	SEAL GUIDE COLLAR	1	Fig04
51	P55448000	P55448000	SEAL GUIDE COLLAR (22)	1	Fig04
52	ND0020030	ND0020030	E SNAP RING	1	Fig04
53	P55426000	P55426000	DIS SHAFT A	1	Fig04
54	P55432000	P55432000	DIS LEVER SP	1	Fig04
55	P54770000	P54770000	DIS SENSOR BR	1	Fig04
56	F00729000	F00729000	PHOTO INTERRUPTER -LF	1	Fig04
57	P54792000	P54792000	DIS LEVER BUTTON	1	Fig03
58	MH0300522	MH0300522	PAN HEAD P TIGHT SCREW	1	Fig03
59	P54766000	P54766000	DIS REAR FRAME	1	Fig05
60	P54767000	P54767000	DIS BOTTOM FRAME	1	Fig05
61	P54768000	P54768000	DIS PLATE	1	Fig06
62	P55423000	P55423000	INSULATION SHEET	1	Fig04
63	MD4300828	MD4300828	PAN HEAD SCREW+SW+WL	1	Fig06
64	Q04031000	Q04031000	CARTON CASE	1	Fig07
65	Q00126000	Q00126000	AIR PACKING (500*500)	1	Fig07
66	Q02315000	Q02315000	AIR BAG	1	Fig07
67	Q01030000	Q01030000	AIR PACKING SHEET	1	Fig07
68	PT9691300	PT9691300	STEEL BALL	1	Fig03
69	P16869000	P16869000	SPRING (LOCK)	1	Fig03
70	P48717000	P48717000	COLLAR	1	Fig03
71	MA2200422	MA2200422	BIND HEAD SCREW	1	Fig03
72	P55878000	P55878000	NIP ROLLER SHAFT	1	Fig03